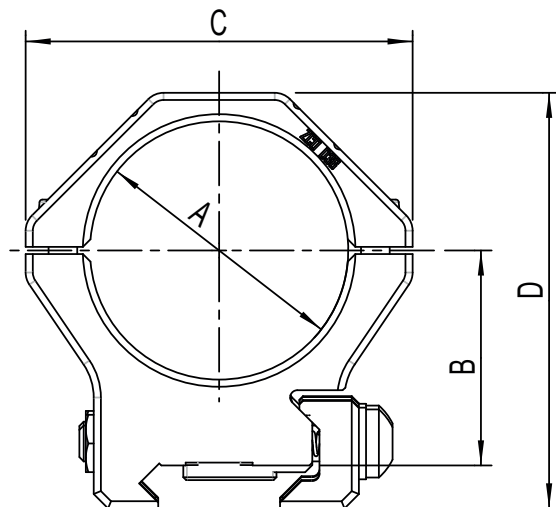
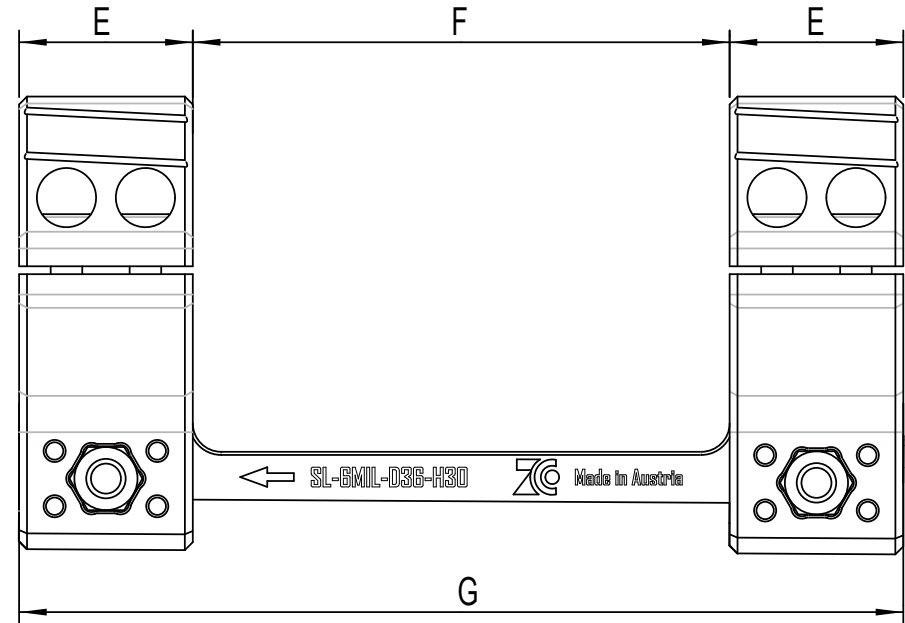
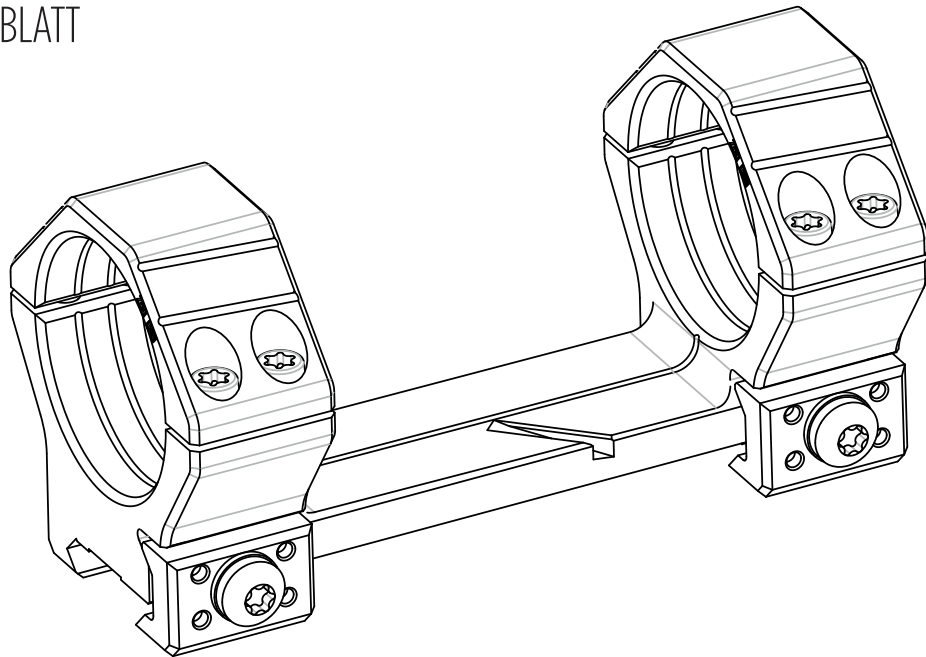


ZCO SL-Block Montage

DATENBLATT



Abmaß	A	B	C	D	E	F	G
[mm]	36	30	54	58	22	68	112

Bestellnummer	Montage
400-0689-SL-6MIL-D36-H32	6MIL (20.6MOA)

Technische Details	
Gewicht:	192g
Befestigungsart:	Picatinny Schiene
Material:	EN AW-7075

www.zcompoptic.com

2024-07 © Zero Compromise Optic GmbH | All rights reserved. No guarantee for correctness and accuracy of the information contained.

Headquater

Bäckerstraße 1
2433 Margarethen am Moos, Austria
+43 2230 20270-134
sales-international@zcompoptic.com

North America

9190 Lower Fords Creek Rd
Orofino, ID 83544
(208)-435-4000
sales@zcompoptic.com