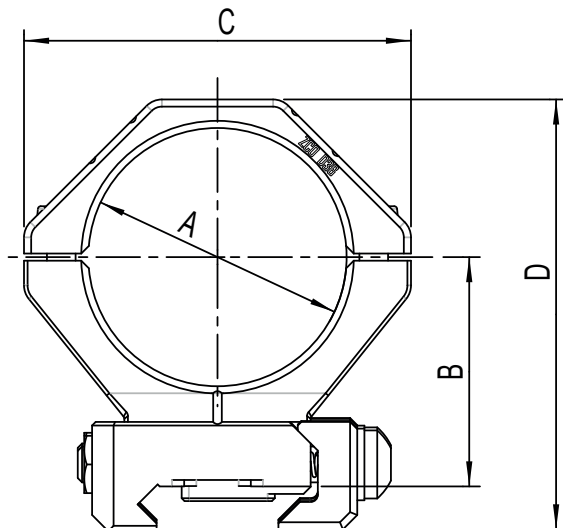
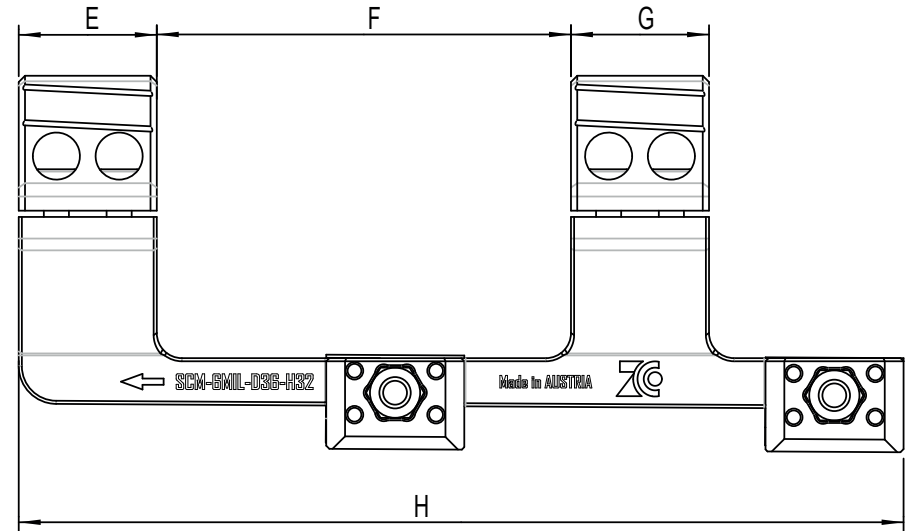
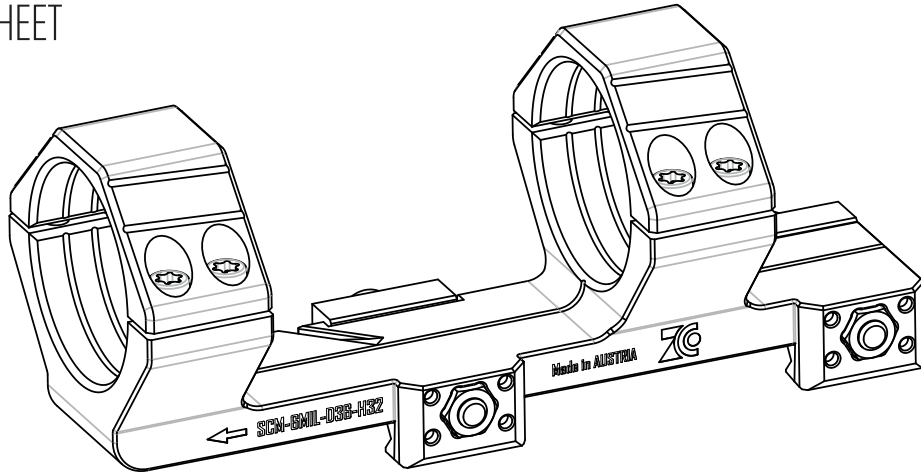


ZCO SL-Cantilever-Montage

DATASHEET



Dimensions	A	B	C	D	E	F	G	H
[mm]	36	32	54	60	22	66	22	141

Order No.	Pre-Tilt:
400-0634-SCM-6MIL-D36-H32	6MIL (20.6MOA)
400-0636-SCM-6MIL-D36-H32	6MIL (20.6MOA)FDE

Technical Details	
Weight Mount only:	230g (8.11 oz.)
Rifle Interface:	Picatinny Rail
Material:	EN AW-7075

www.zcompoptic.com

2024-07 © Zero Compromise Optic GmbH | All rights reserved. No guarantee for correctness and accuracy of the information contained.

Headquarter

Bäckerstraße 1
2433 Margarethen am Moos, Austria
+43 2230 20270-134
sales-international@zcompoptic.com

North America

9190 Lower Fords Creek Rd
Orofino, ID 83544
(208)-435-4000
sales@zcompoptic.com