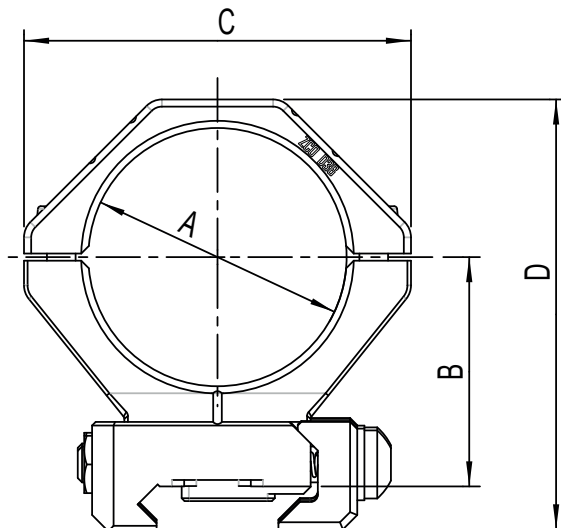
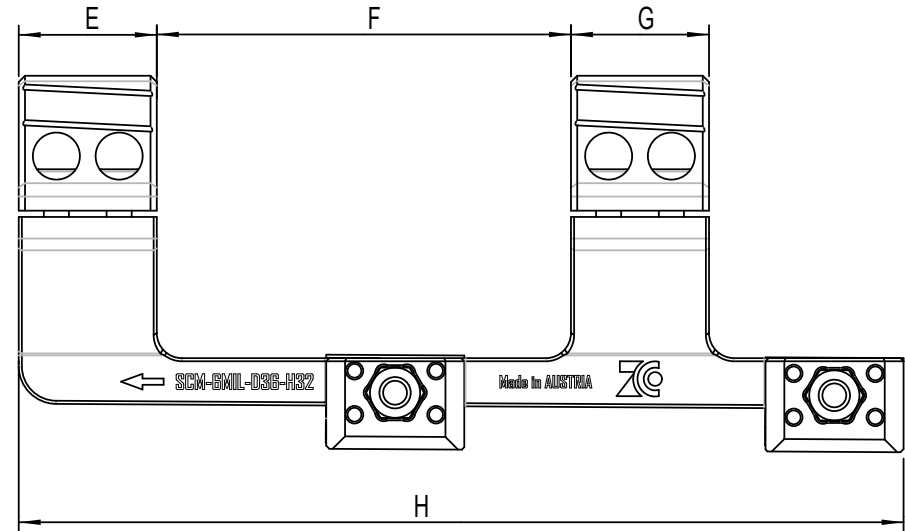
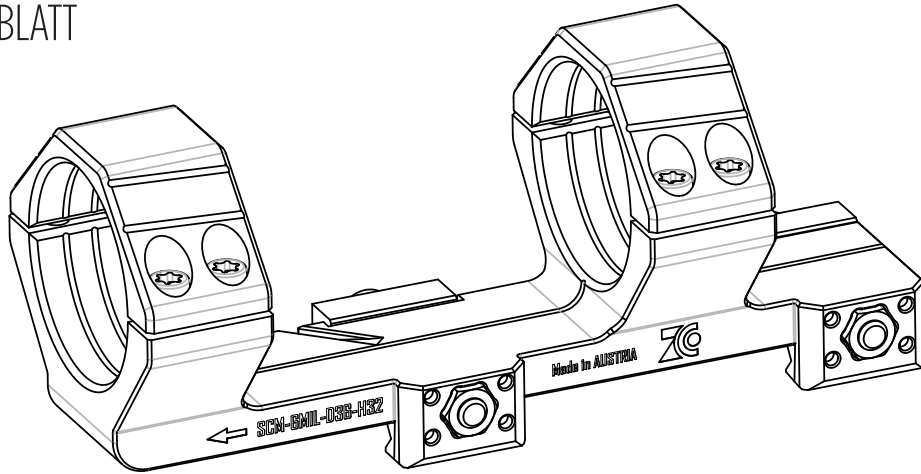


# ZCO SL-Cantilever-Montage

## DATENBLATT



Abmaß [mm]	A	B	C	D	E	F	G	H
	36	32	54	60	22	66	22	141

Bestellnummer	Montage
400-0634-SCM-6MIL-D36-H32	6MIL (20.6MOA)
400-0636-SCM-6MIL-D36-H32	6MIL (20.6MOA)FDE

Technische Details	
Gewicht:	230g
Befestigungsart	Picatinny Schiene
Material:	EN AW-7075

[www.zcompoptic.com](http://www.zcompoptic.com)

2024-07 © Zero Compromise Optic GmbH | All rights reserved. No guarantee for correctness and accuracy of the information contained.

### Headquater

Bäckerstraße 1  
2433 Margarethen am Moos, Austria  
+43 2230 20270-134  
sales-international@zcompoptic.com

### North America

9190 Lower Fords Creek Rd  
Orofino, ID 83544  
(208)-435-4000  
sales@zcompoptic.com