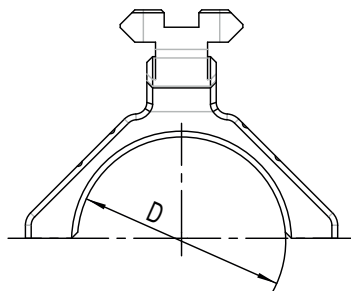
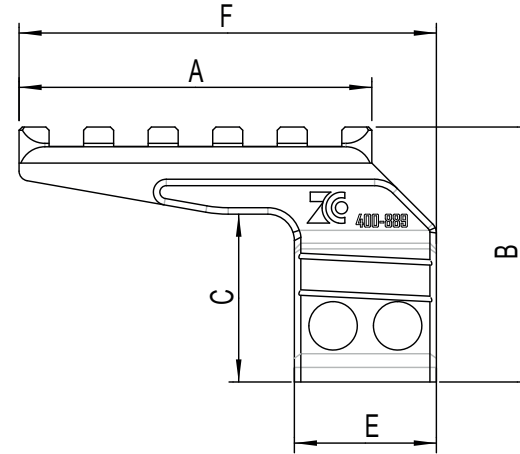
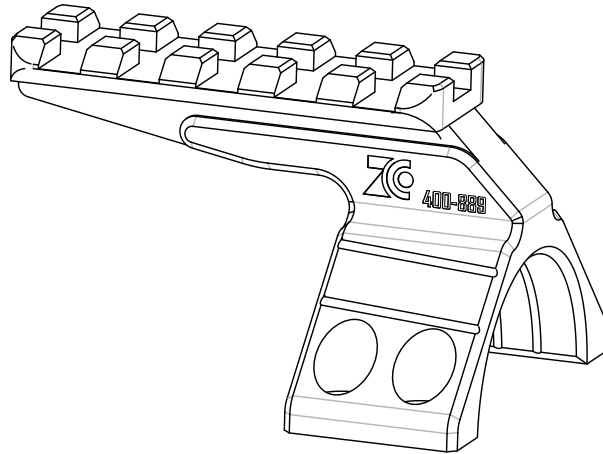


supporting your precision

# ZCO Ring Cap Picatinny SL

## DATA SHEET



Dimensions	A	B	C	D	E	F
[mm]	55	40	26	36	22	65

<b>Order No.</b>
400-889-SL-Ring-Cap-Picatinny

Technical Details	
Weight:	42g (1.48 oz.)
Accessory Interface:	Picatinny Rail
Material:	EN AW-7075

[www.zcompoptic.com](http://www.zcompoptic.com)

2024-07 © Zero Compromise Optic GmbH | All rights reserved. No guarantee for correctness and accuracy of the information contained.

**Headquarter**

Bäckerstraße 1  
2433 Margarethen am Moos, Austria  
+43 2230 20270-134  
sales-international@zcompoptic.com

**North America**

9190 Lower Fords Creek Rd  
Orofino, ID 83544  
(208)-435-4000  
sales@zcompoptic.com