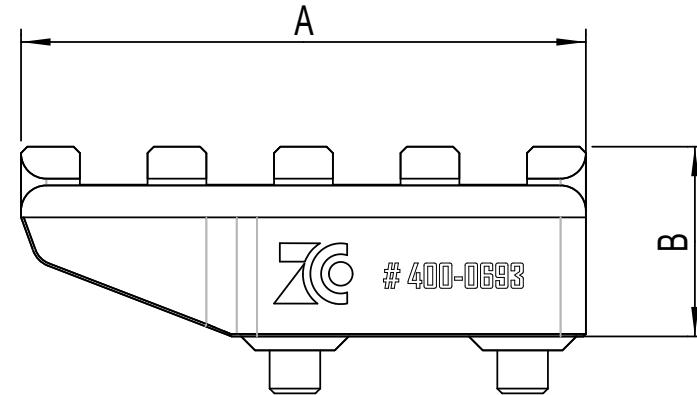
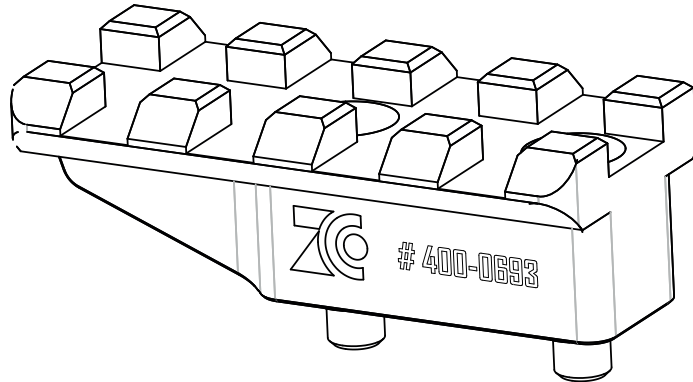


supporting your precision

# ZCO Picatinny Short

## DATA SHEET



Dimension	A	B
[mm]	45	15

Order No.
400-0693-Aufsatz-kurz-IDX
400-0695-Aufsatz-kurz-IDX-FDE

Technical Details	
Weight:	20g (0.71 oz.)
Accessory Interface:	Picatinny Rail
Material:	EN AW-7075

[www.zcompoptic.com](http://www.zcompoptic.com)

2024-07 © Zero Compromise Optic GmbH | All rights reserved. No guarantee for correctness and accuracy of the information contained.

### Headquarter

Bäckerstraße 1  
2433 Margarethen am Moos, Austria  
+43 2230 20270-134  
sales-international@zcompoptic.com

### North America

9190 Lower Fords Creek Rd  
Orofino, ID 83544  
(208)-435-4000  
sales@zcompoptic.com