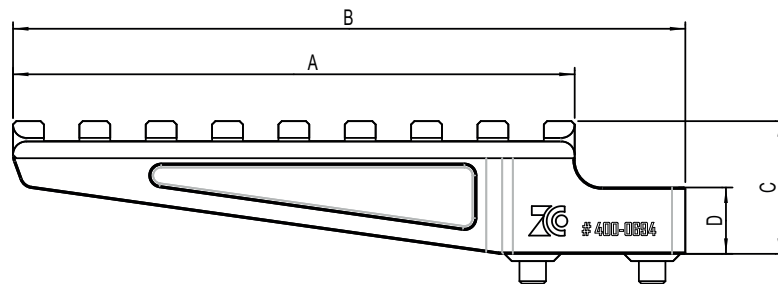
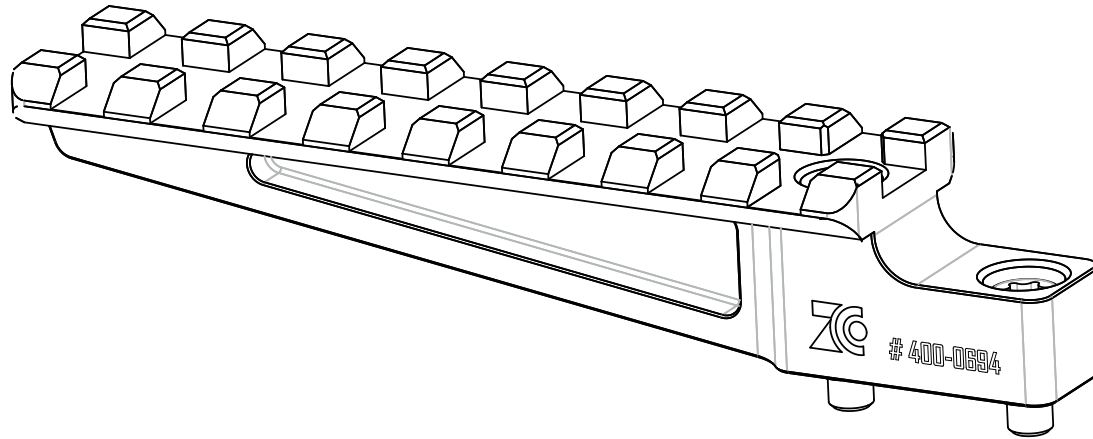


supporting your precision

ZCO Picatinny Long

DATA SHEET



Dimensions	A	B	C	D
[mm]	85	101	20	10

Order No.
400-0694-Aufsatz-lang-IDX
400-0696-Aufsatz-lang-IDX-FDE

Technical Details	
Weight:	37g
Accessory Interface:	Picatinny Rail
Material:	EN AW-7075

www.zcompoptic.com

2024-07 © Zero Compromise Optic GmbH | All rights reserved. No guarantee for correctness and accuracy of the information contained.

Headquater

Bäckerstraße 1
2433 Margarethen am Moos, Austria
+43 2230 20270-134
sales-international@zcompoptic.com

North America

9190 Lower Fords Creek Rd
Orofino, ID 83544
(208)-435-4000
sales@zcompoptic.com