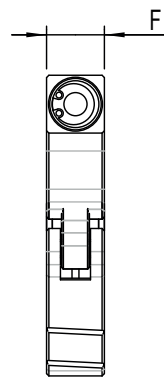
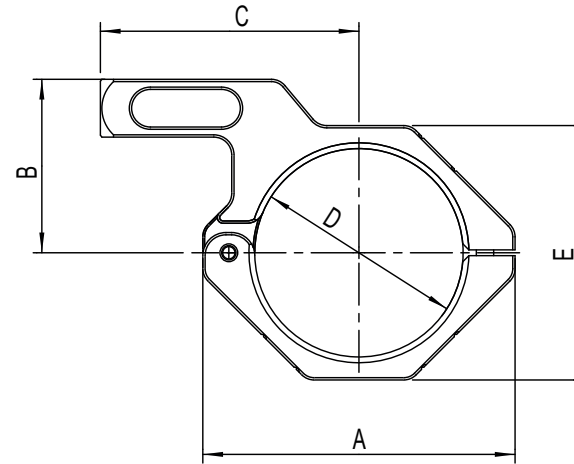
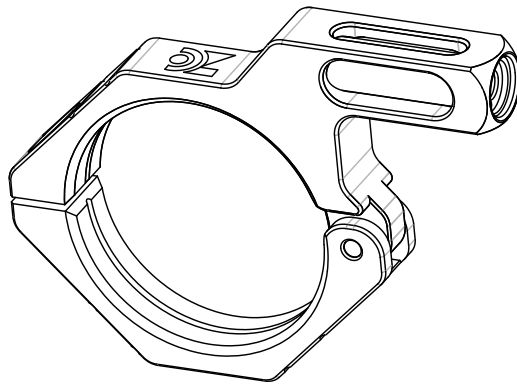


ZCO Bubble Level Ring

DATA SHEET



Dimension	A	B	C	D	E	F
[mm]	54	30	45	36	44	10

Order No.
400-0554-Bubble-Level-Ring

Technical Details	
Weight:	26g (0.92 oz)
Material:	EN AW-7075

www.zcompoptic.com

2024-07 © Zero Compromise Optic GmbH | All rights reserved. No guarantee for correctness and accuracy of the information contained.

Headquarter

Bäckerstraße 1
2433 Margarethen am Moos, Austria
+43 2230 20270-134
sales-international@zcompoptic.com

North America

9190 Lower Fords Creek Rd
Orofino, ID 83544
(208)-435-4000
sales@zcompoptic.com