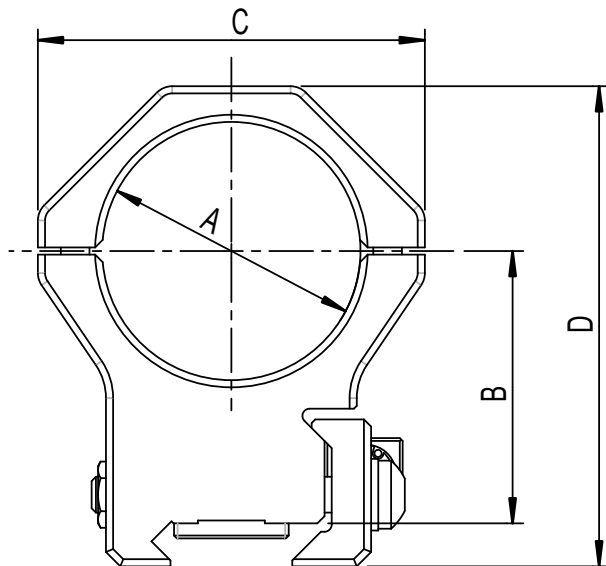
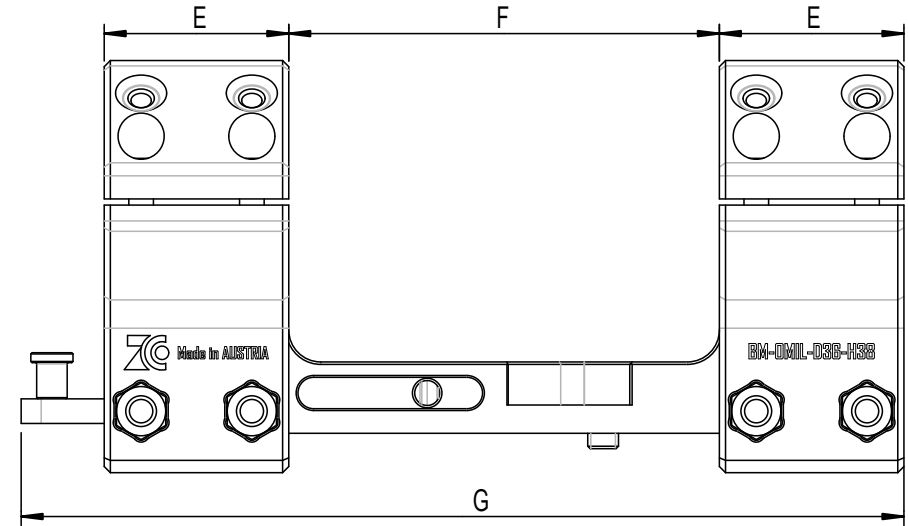
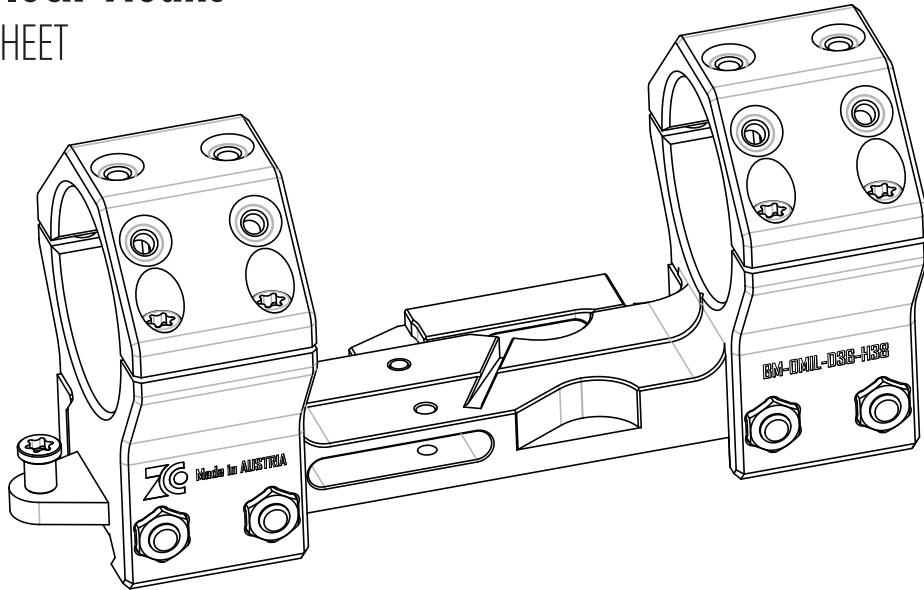


supporting your precision



ZCO Block-Mount

DATA SHEET



Dimension	A	B	C	D	E	F	G
[mm]	36	38	54	67	30	70	144

Order No.	Pre-Tilt
400-0685-BM-OMIL-D36-H38	OMIL (OMOA)
400-0686-BM-6MIL-D36-H38	6MIL (20.6MOA)
400-0687-BM-OMIL-D36-H38	OMIL(OMOA)FDE
400-0688-BM-6MIL-D36-H38	6MIL (20.6MOA)FDE

Technical Details	
Weight Mount Only	353g (12.45 oz.)
Weight With Features:	363g (12.80 oz.)
Rifle Interface:	Picatinny Rail
Material	EN AW-7075
Built-In Features:	Foldable Bubble Level
	Mirage Band Screw

www.zcompoptic.com

Headquarter

Bäckerstraße 1
2433 Margarethen am Moos, Austria
+43 2230 20270-134
sales-international@zcompoptic.com

North America

9190 Lower Fords Creek Rd
Orofino, ID 83544
(208)-435-4000
sales@zcompoptic.com

2024-07 © Zero Compromise Optic GmbH | All rights reserved. No guarantee for correctness and accuracy of the information contained.